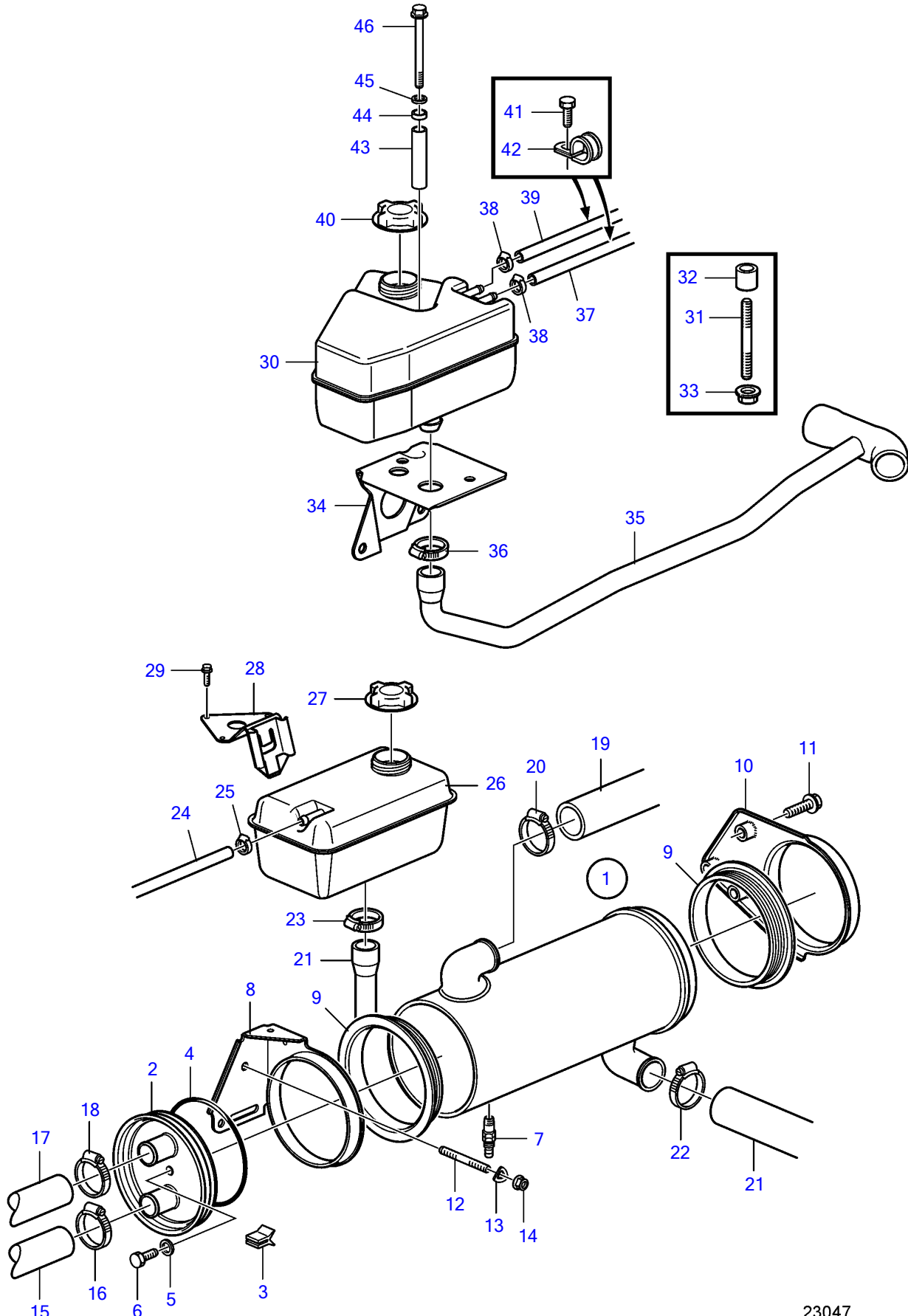


AD31L-A, AD31P-A



## AD31L-A, AD31P-A

REF	PART NO.	QTY	DESCRIPTION	SEE SEC.	NOTES
1	3586704	1	Heat exchanger		
2	861308	1	• Cardboard tube		
3	860127	3	• Sealing strip		
4	925027	1	• O-ring		
5	964106	1	• Gasket		
6	963567	1	• Hexagon screw		
7	949918	1	• Shut-off cock		
8	3580719	1	Bracket		
9	838733	2	Adapter		
10	3580717	1	Bracket		
11	965185	3	Flange screw		
12	953003	1	Stud		L=130mm
	953007	1	Stud		L=150mm
13	941908	2	Spring washer		
14	971095	2	Flange nut		
15	860645	1	Hose		Heat exchanger-after cooler.
16	943475	1	Hose clamp		
17	860828	1	Hose		Heat exchanger-exhaust riser.
18	943475	1	Hose clamp		
19	861111	1	Hose		Thermostat housing-heat exchanger.
20	943477	1	Hose clamp		
21	861279	1	Hose		
22	943478	2	Hose clamp		
23	943474	1	Hose clamp		
24	942700	X	Hose		L=300mm
25	945652	1	Hose clamp		
26	861105	1	Expansion tank		For earlier version of expansion tank.
			• Bulletin P-18-4-4	P-18-4-4-EN	Coolant Recommendations for Gas Engines
			• Bulletin p-26-1-7	p-26-1-7-EN	Coolant Capacity, FWC Gas Engines
27	1674083	1	Pressure cap		
28	3582348	1	Bracket		
29	946544	3	Flange screw		
30	3580941	1	Expansion tank		For later version of expansion tank.
31	953003	1	Stud		
	953005	1	Stud		
	980835	1	Stud		
32	849845	1	Spacer sleeve		
33	971095	3	Flange nut		
35	3581097	1	Hose		Heat exchanger-expansion tank-water pump.
36	943474	1	Hose clamp		
37	942700	X	Hose		Expansion tank-thermostat housing., L=440mm
38	945652	2	Hose clamp		
39	942700	X	Hose		Expansion tank-Turbo., L=580mm
40	1674083	1	Pressure cap		
41	967949	2	Flange screw		
42	952627	2	Clamp		
43	3581032	1	Spacer sleeve		
44	3285120	1	Grommet		
45	976944	1	Washer		
46	968999	1	Flange screw		

7742700-26-1698C

23047

Upd:2011-09-28